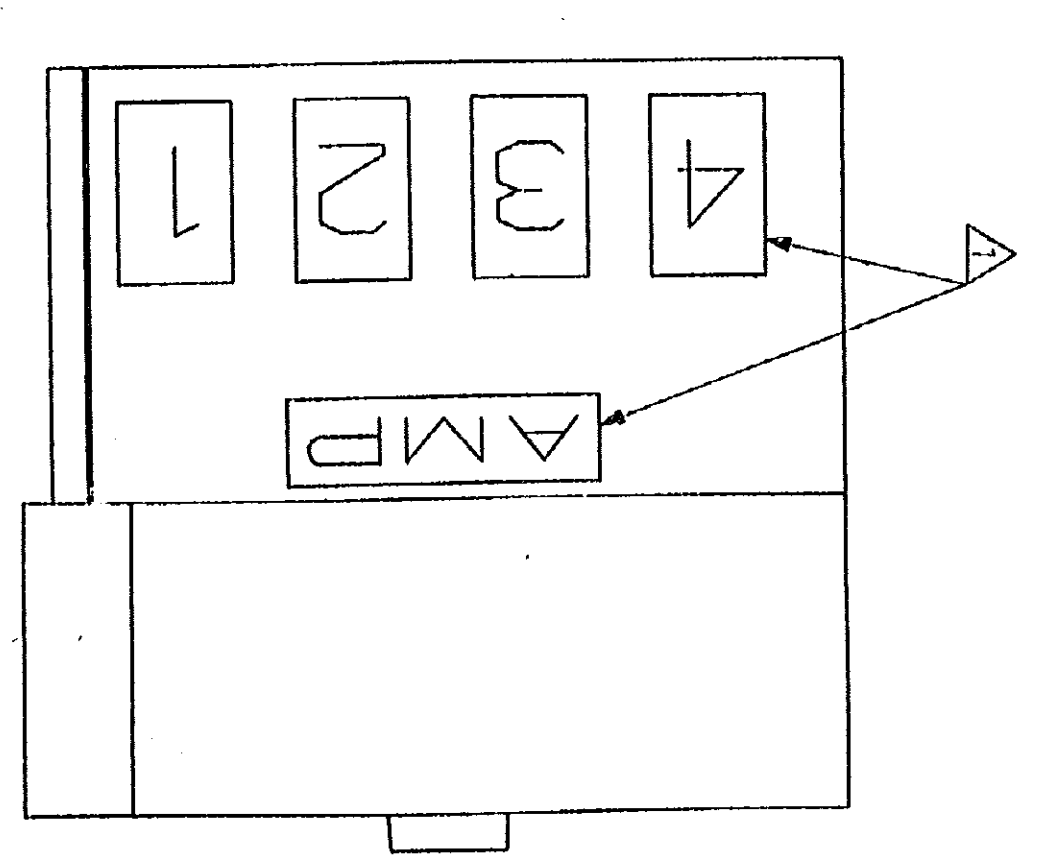
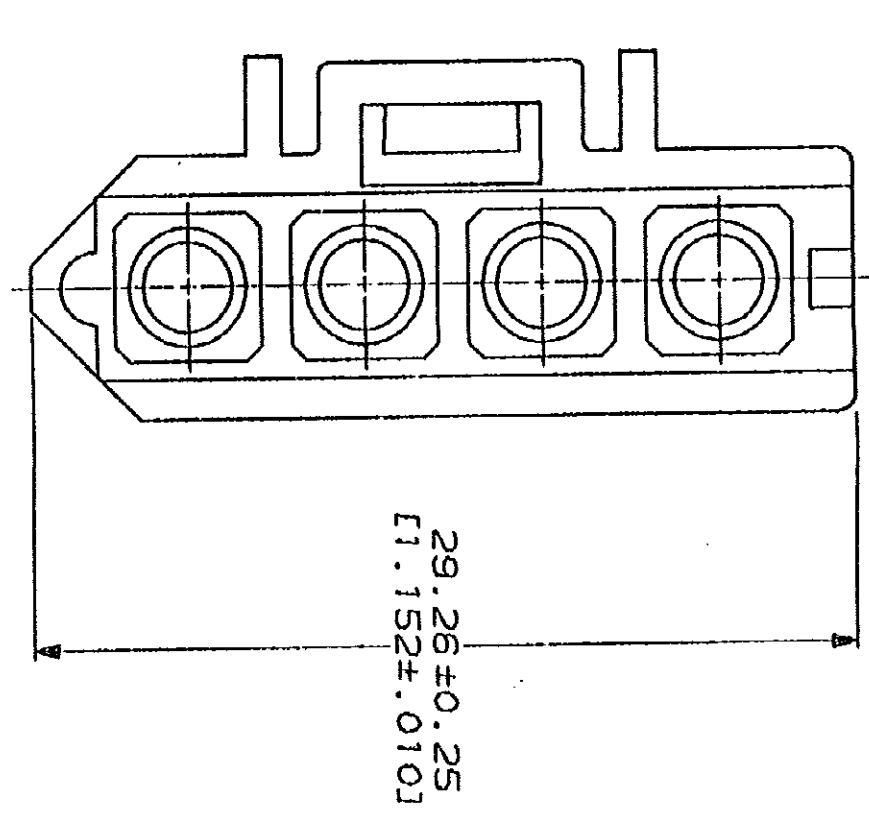
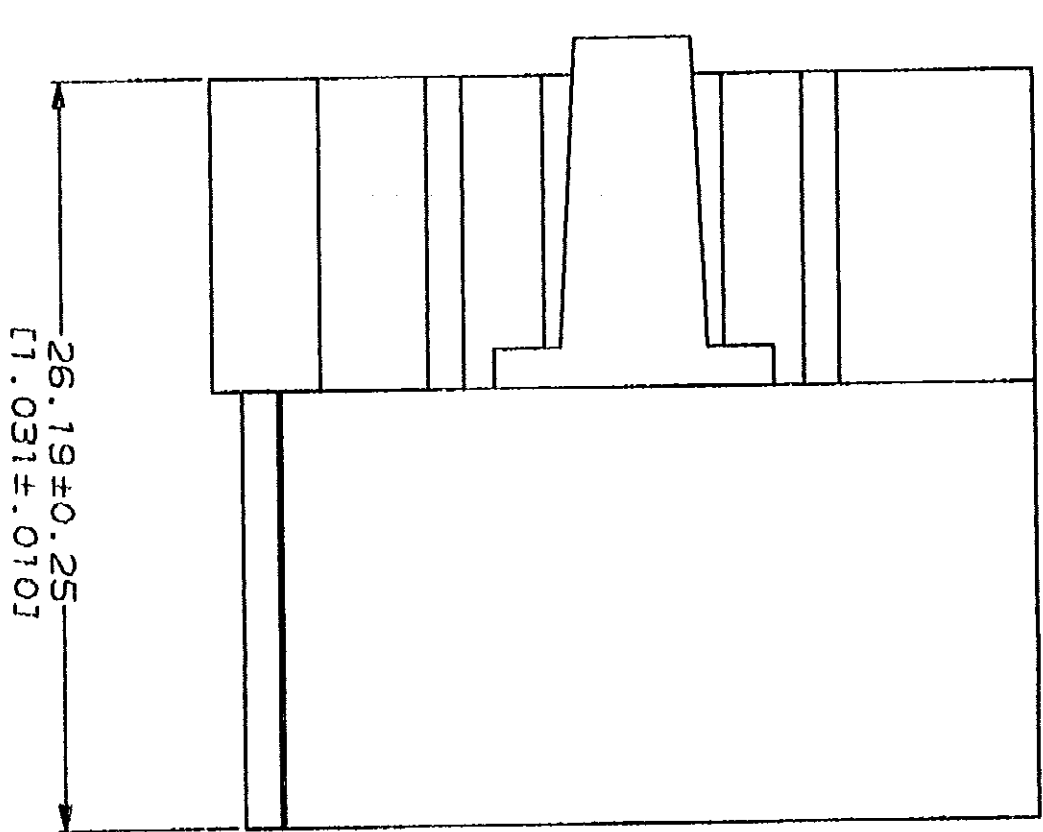
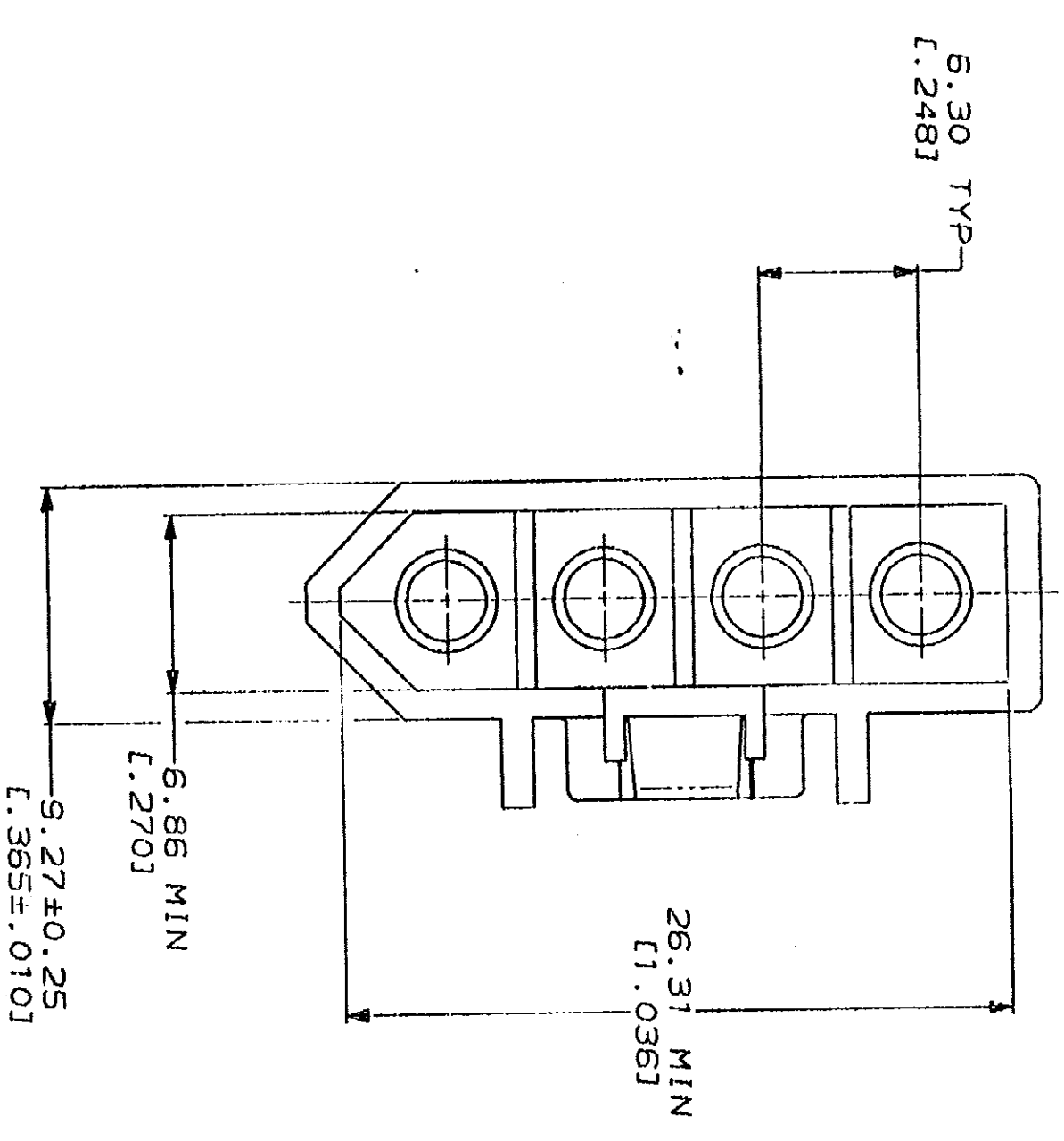
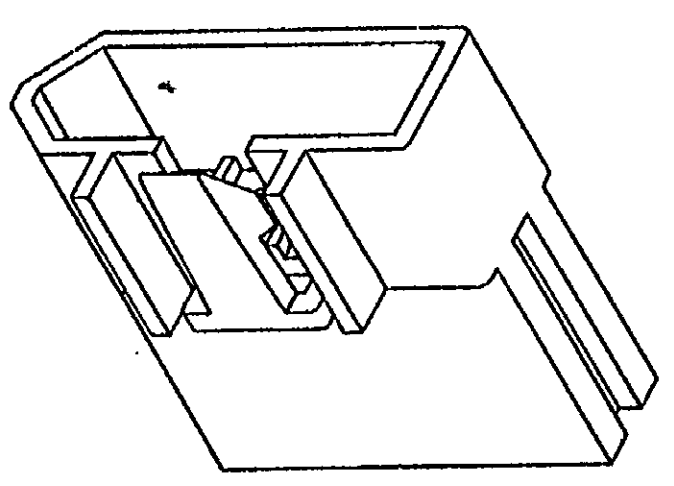


DRAWING MADE IN 180 ANGLE PROJECTION
 THIS DRAWING IS UNRELEASABLE
 UNLESS SPECIFIED OTHERWISE
 ALL INFORMATION IS UNCLASSIFIED
 DATE 11-19-93 BY 1043/SP/STP

REV	DATE	BY	DESCRIPTION
1			
2			
3			
4			
5			
6			
7			
8			



△ AMP LOGO AND CIRCUIT NUMBERS LOCATED IN THIS AREA.
 2. DIMENSIONS IN BRACKETS ARE IN INCHES.



3-DIMENSIONAL MODEL
 NTS

METRIQ

DO NOT SCALE PRINT. UNLESS SPECIFIED IN CHANGES		DR K. WHITNER	12-3-90	AMP Amp Incorporated NORTH BOSTON, PA 17105-3508	PART NO 770810-1
DIMENSIONS IN INCHES DIMENSIONS IN MILLIMETERS		CHK R. SWINE	12-3-90		
3 PLG DEC # 0.13 [1.005]		APPD G. CASI	12-3-90	NAME POSITIVE LOCK, 4 CIRCUIT, COMMERCIAL PIN AND SOCKET	
MATERIAL NYLON UL 94V-2 NATURAL		PRODUCT SPEC		SIZE D	CAGE CODE 00779
FINISH		APPLICATION SPEC		SCALE 4:1	DRAWING NO 770810
		WEIGHT			SHEET 1 OF 1

CUSTOMER DRAWING